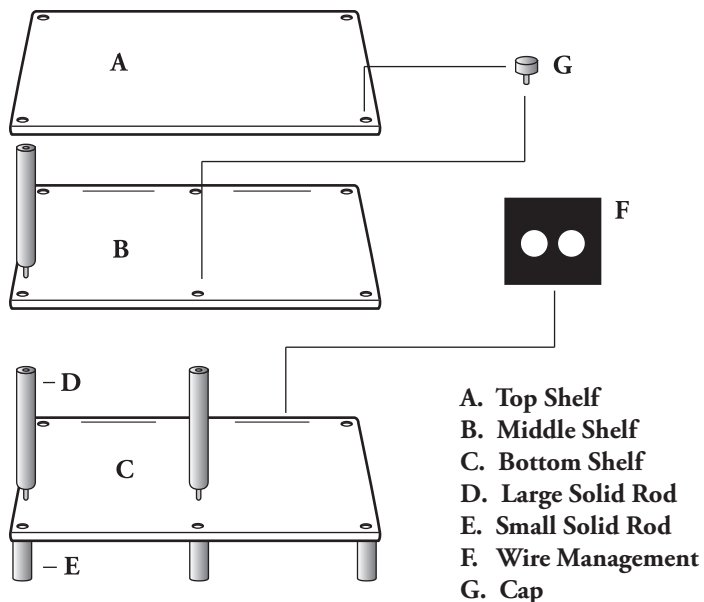


**Maximum Weight Rating**  
220 lbs. / 100 Kg

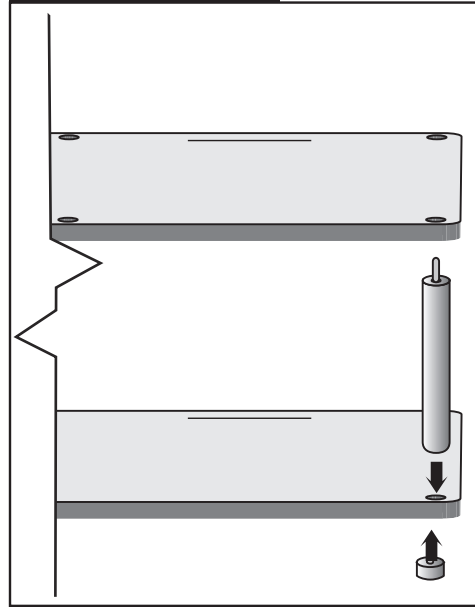
### Warranty Information

All CAMBRÉ products are manufactured to ensure superior quality, performance and durability for a lifetime of use. Warranty covers the product to be free from defects in materials and workmanship under normal and reasonable use. CAMBRÉ Products Canada, will repair or replace, at our option, any product that proves to be defective upon our inspection. This warranty will not apply to products that have been lost or damaged by misuse, abuse or accident, altered or repaired in any way or by any person or firm other than specified by us, used in violation of instructions or incorrect assembly or used in a manner other than specified by us. The warranty is nontransferable to a new owner and may require proof of purchase. All claims must be directly handled with CAMBRÉ Products Canada.

### Invert for Assembly



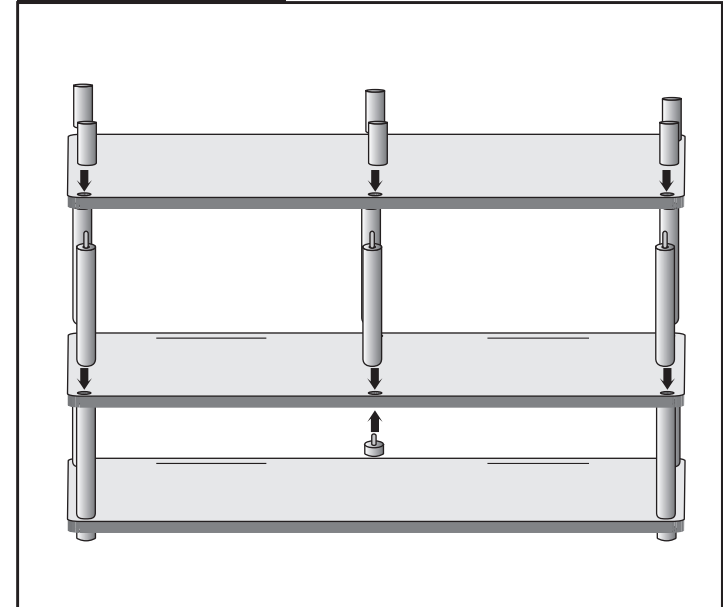
### Step 1



Place top shelf (1" shelf) upside down on a clean un-abrasive surface. Place 1" round caps into indentation in top shelf with threaded stud going through the top shelf. Screw solid upright rods into threaded studs. Place middle shelf (shelf with 1/2" counter sunk holes in the middle) on the top of solid upright rods with threaded studs protruding upwards.

Once all upright rods are tightened by hand, turn rack upright and install wire management covers into rear slot on back of shelf.

### Step 2



Repeat step 1 until installation of bottom shelf. After installation of bottom shelf, screw small solid rods onto threaded studs protruding through the bottom shelf.

### Step 3

